

1.1 Hardware installation

1.1.1 System configuration

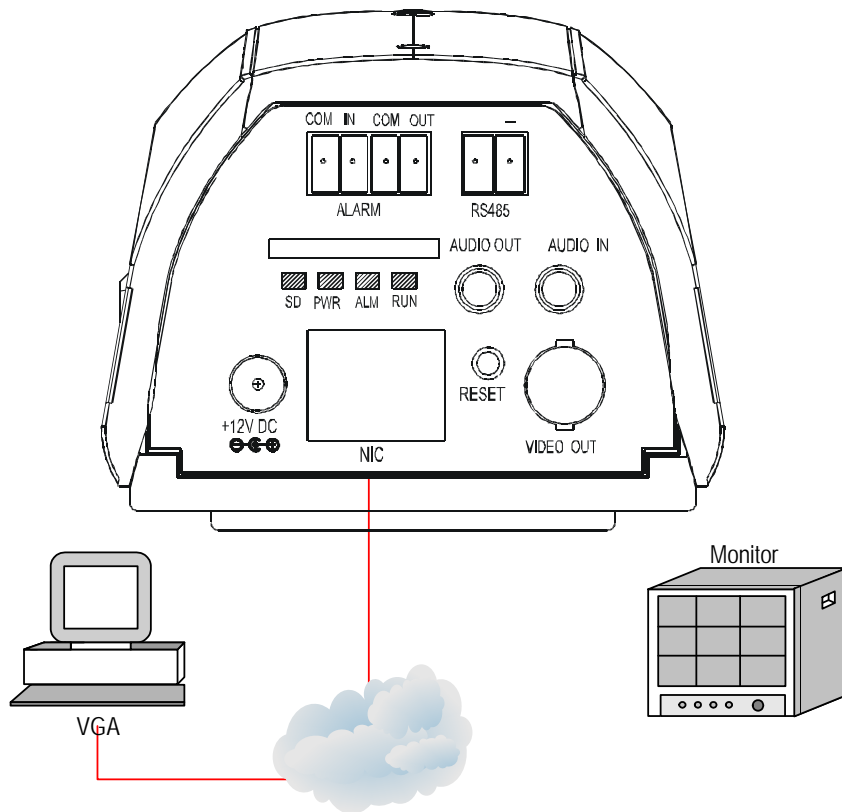
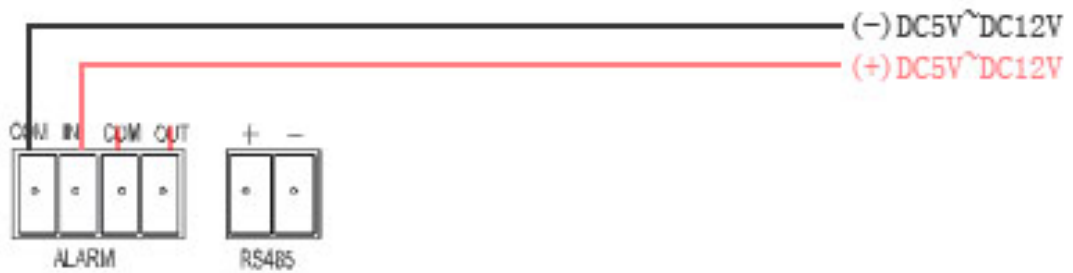


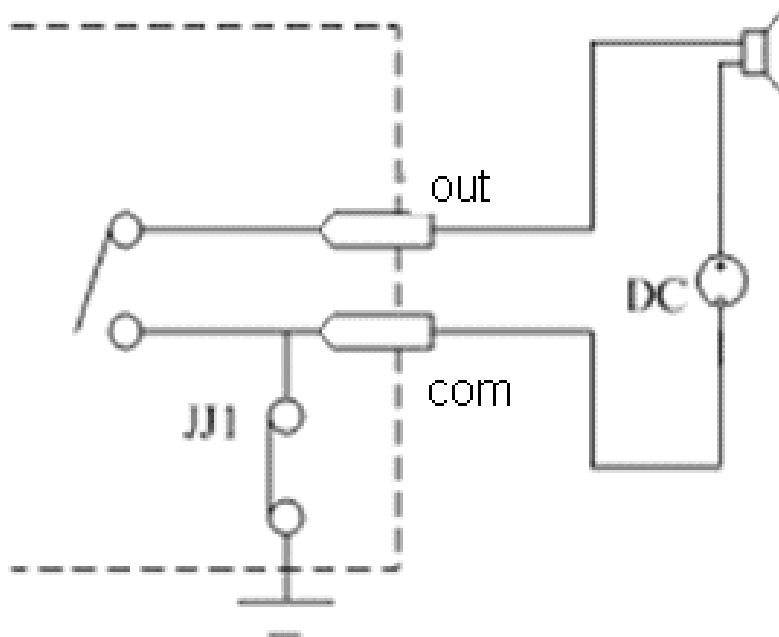
Fig. 1.1.1 System configuration

1.1.2 Alarm input connection



1.1.3 Alarm output connection

Alarm output connection demonstration



Alarm output is in fact on-off (No voltage), outside power is needed while connection alarm. Outside power must be within DC12V and 300mA while connection DC power.